



1.8m Ballast Chart - 4" O.D. Offset			
Elevation	Ballast Required (lbs)		
	Wind Speed (mph)		
	80	100	125
22°	634	1370	2520*
40°	494	1069	1965*
60°	285	617	1134*

2.4m Ballast Chart - 4" O.D. Polar, 5½" O.D. Az-EI Prime Focus 6 5/8" O.D. Offset			
Elevation	Ballast Required (lbs)		
	Wind Speed (mph)		
	80	100	125
22°	1240	2435	4302*
40°	967	1900	3356*
60°	558	1096	1936*

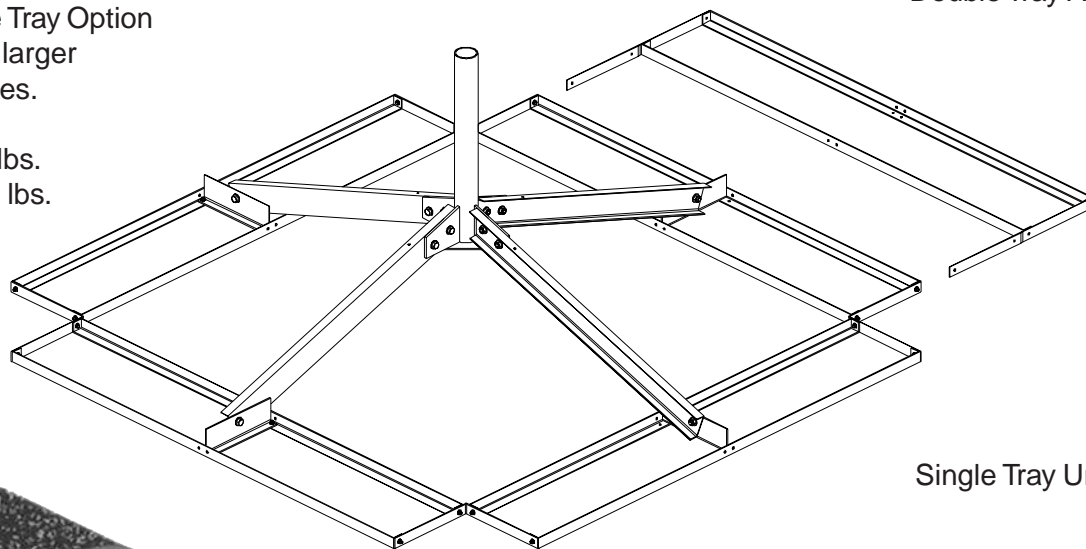
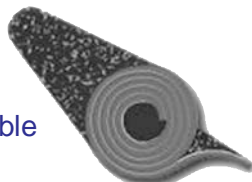
2.8m Ballast Chart - 4" O.D. Polar, 5½ O.D. Az-EI Prime Focus			
Elevation	Ballast Required (lbs)		
	Wind Speed (mph)		
	80	100	125
0°	1922	3543	6075*
20°	1499	2763	4739*
40°	865	1594	2734*

\* Installations in excess of 100 mph wind speed requirement are to be tethered.

Additional Double Tray Option for high-wind and larger offset antenna sizes.

Single Tray - 375 lbs.  
Double Tray - 575 lbs.

Optional Roof Padding Available



28 lb

**Non-Penetrating Roof Mounts**  
**PTX-NPR 400S** Single Tray  
**PTX-NPR 400D** Double Tray  
**PTX-NPR 550S** Single Tray  
**PTX-NPR 550D** Double Tray

Pipe Sizes: 4 in (100mm) • 5-1/2 in (140mm)

Patriot ballast trays are designed to spread the load over a large area of the roof so as not to exceed typical roof load criteria. Most roof mount installations exert 6x less bearing load per square-foot than a person standing on the roof.

